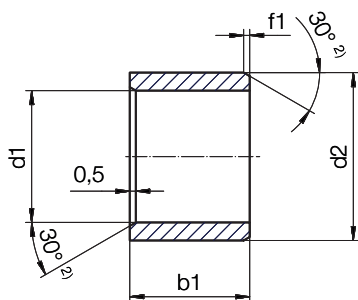


iglidur® J | 產品範圍

軸襯套 (型號 S)



²⁾ 厚度 < 1 mm : 導角 = 20°

倒角和 d1 的關係

d1 [mm]:	Ø 1-6	Ø 6-12	Ø 12-30	Ø > 30
f [mm]:	0.3	0.5	0.8	1.2

尺寸 [mm]

d1	d1- 公差 ³⁾	d2	b1 h13	產品型號
1.5	+0.014	4.0	2.0	JSM-0104-02
2.0	+0.054	3.5	7.0	JSM-0203-07
2.0	+0.020	5.0	2.5	JSM-0205-02
2.5	+0.080	6.0	2.5	JSM-0206-02
3.0	+0.014	4.5	5.0	JSM-0304-05
3.0	+0.054	4.5	9.0	JSM-0304-09
3.0		5.0	4.0	JSM-0305-04
3.0	+0.020	7.0	14.0	JSM-0307-14
3.0	+0.080	8.0	4.0	JSM-0308-04
3.0		8.0	5.0	JSM-0308-05
4.0		5.5	4.0	JSM-0405-04
4.0		5.5	6.0	JSM-0405-06
4.0		5.5	8.0	JSM-0405-08
5.0	+0.020	7.0	4.6	JSM-0507-046
5.0	+0.068	7.0	5.0	JSM-0507-05
5.0		7.0	10.0	JSM-0507-10
5.0		7.0	14.0	JSM-0507-14
5.0	+0.020	7.0	15.0	JSM-0507-15
5.0	+0.080			
5.0	+0.030	8.0	5.0	JSM-0508-05
5.0	+0.105			
6.0		7.0	3.0	JSM-0607-03
6.0		7.0	5.0	JSM-0607-05
6.0	+0.010	7.0	8.0	JSM-0607-08
6.0	+0.058	7.0	12.5	JSM-0607-12.5
6.0		7.0	14.0	JSM-0607-14
6.0	+0.020	8.0	4.3	JSM-0608-043
6.0	+0.068	8.0	6.0	JSM-0608-06

³⁾ 按壓組裝後 測試方法 ▶ 頁碼 57

產品代碼

類型 尺寸 [mm]

J S M-0104-02

iglidur® 材質	型號 S	公制	內徑 - Ø d1	外徑 - Ø d2	長度 b1
-------------	------	----	-----------	-----------	-------

尺寸符合 ISO 3547-1 標準
且提供特殊尺寸

也可選用英制尺寸
▶ 見頁碼 1407

d1	d1- 公差 ³⁾	d2	b1 h13	產品型號
6.0		8.0	8.0	JSM-0608-08
6.0	+0.020	8.0	10.0	JSM-0608-10
6.0	+0.068	8.0	10.0	JSM-0608-10
6.0	+0.030	9.0	6.0	JSM-0609-06
6.0	+0.105	10.0	10.0	JSM-0610-10
7.0		9.0	5.0	JSM-0709-05
7.0		9.0	7.0	JSM-0709-07
7.0		9.0	9.0	JSM-0709-09
7.0		9.0	12.5	JSM-0709-12.5
8.0		10.0	3.0	JSM-0810-03
8.0	+0.025	10.0	4.0	JSM-0810-04
8.0	+0.083	10.0	6.0	JSM-0810-06
8.0		10.0	8.0	JSM-0810-08
8.0		10.0	10.0	JSM-0810-10
8.0		10.0	12.0	JSM-0810-12
8.0		10.0	16.0	JSM-0810-16
8.0	+0.040	12.0	10.0	JSM-0812-10
8.0	+0.130	12.0	12.0	JSM-0812-12
9.0		11.0	10.0	JSM-0911-10
10.0		12.0	5.0	JSM-1012-05
10.0		12.0	6.0	JSM-1012-06
10.0		12.0	8.0	JSM-1012-08
10.0	+0.025	12.0	10.0	JSM-1012-10
10.0	+0.083	12.0	11.0	JSM-1012-11
10.0		12.0	12.0	JSM-1012-12
10.0		12.0	15.0	JSM-1012-15
10.0		12.0	20.0	JSM-1012-20
10.0	+0.040 +0.130	14.0	10.0	JSM-1014-10

軸襯套 (型號 S)

尺寸 [mm]

d1	d1- 公差 ³⁾	d2	b1 h13	產品型號	d1	d1- 公差 ³⁾	d2	b1 h13	產品型號
10.0	+0.040 +0.130	14.0	16.0	JSM-1014-16	20.0		23.0	10.0	JSM-2023-10
12.0		14.0	6.0	JSM-1214-06	20.0	+0.040	23.0	15.0	JSM-2023-15
12.0		14.0	8.0	JSM-1214-08	20.0	+0.124	23.0	20.0	JSM-2023-20
12.0		14.0	9.0	JSM-1214-09	20.0	+0.020	23.0	25.0	JSM-2023-25
12.0	+0.032	14.0	10.0	JSM-1214-10	20.0	+0.104	23.0	30.0	JSM-2023-30
12.0	+0.102	14.0	12.0	JSM-1214-12	20.0		26.0	6.0	JSM-2026-06
12.0		14.0	15.0	JSM-1214-15	20.0	+0.065	26.0	20.0	JSM-2026-20
12.0		14.0	20.0	JSM-1214-20	20.0	+0.195	26.0	25.0	JSM-2026-25
12.0	+0.050	16.0	12.0	JSM-1216-12	20.0		26.0	30.0	JSM-2026-30
12.0	+0.160	16.0	17.0	JSM-1216-17	21.0		24.0	12.0	JSM-2124-12
13.0		15.0	10.0	JSM-1315-10	22.0		25.0	15.0	JSM-2225-15
13.0		15.0	20.0	JSM-1315-20	22.0		25.0	20.0	JSM-2225-20
13.0		16.0	18.5	JSM-1316-185	22.0		25.0	25.0	JSM-2225-25
14.0		16.0	5.0	JSM-1416-05	22.0		25.0	30.0	JSM-2225-30
14.0	+0.032	16.0	8.0	JSM-1416-08	23.0		26.0	12.0	JSM-2326-12
14.0	+0.102	16.0	10.0	JSM-1416-10	24.0		27.0	15.0	JSM-2427-15
14.0		16.0	15.0	JSM-1416-15	24.0		27.0	20.0	JSM-2427-20
14.0		16.0	20.0	JSM-1416-20	24.0	+0.040	27.0	25.0	JSM-2427-25
14.0		16.0	25.0	JSM-1416-25	24.0	+0.124	27.0	30.0	JSM-2427-30
14.0		18.0	18.0	JSM-1418-18	24.0		27.0	46.0	JSM-2427-46
14.0	+0.050	20.0	20.0	JSM-1420-20	25.0		28.0	12.0	JSM-2528-12
14.0	+0.160				25.0		28.0	15.0	JSM-2528-15
15.0		17.0	6.0	JSM-1517-06	25.0		28.0	20.0	JSM-2528-20
15.0		17.0	10.0	JSM-1517-10	25.0		28.0	25.0	JSM-2528-25
15.0		17.0	12.0	JSM-1517-12	25.0		28.0	30.0	JSM-2528-30
15.0		17.0	15.0	JSM-1517-15	25.0		28.0	60.0	JSM-2528-60
15.0		17.0	20.0	JSM-1517-20	25.0		30.0	40.0	JSM-2530-40
15.0	+0.032	17.0	25.0	JSM-1517-25	25.0		32.0	25.0	JSM-2532-25
15.0	+0.102	18.0	10.0	JSM-1518-10	25.0	+0.065	32.0	32.0	JSM-2532-32
16.0		18.0	10.0	JSM-1618-10	25.0	+0.195	32.0	35.0	JSM-2532-35
16.0		18.0	12.0	JSM-1618-12	26.0		30.0	20.0	JSM-2630-20
16.0		18.0	15.0	JSM-1618-15	27.0	+0.040	30.0	20.0	JSM-2730-20
16.0		18.0	20.0	JSM-1618-20	27.0	+0.124			
16.0		18.0	25.0	JSM-1618-25	28.0		32.0	20.0	JSM-2832-20
16.0	+0.050	20.0	16.0	JSM-1620-16	28.0	+0.065	32.0	25.0	JSM-2832-25
16.0	+0.160	22.0	16.0	JSM-1622-16	28.0	+0.195	32.0	30.0	JSM-2832-30
16.0		22.0	20.0	JSM-1622-20	30.0		34.0	20.0	JSM-3034-20
17.0		19.0	6.0	JSM-1719-06	30.0	+0.040	34.0	25.0	JSM-3034-25
18.0		20.0	10.0	JSM-1820-10	30.0	+0.124	34.0	30.0	JSM-3034-30
18.0	+0.032	20.0	15.0	JSM-1820-15	30.0		34.0	40.0	JSM-3034-40
18.0	+0.102	20.0	20.0	JSM-1820-20	30.0	+0.065	38.0	40.0	JSM-3038-40
18.0		20.0	25.0	JSM-1820-25	30.0	+0.195			
19.0		22.0	14.0	JSM-1922-14	32.0		36.0	20.0	JSM-3236-20
20.0	+0.040	22.0	20.0	JSM-2022-20	32.0	+0.050	36.0	30.0	JSM-3236-30
20.0	+0.124	22.0	30.0	JSM-2022-30	32.0	+0.150	36.0	40.0	JSM-3236-40

³⁾ 按壓組裝後 測試方法 ▶ 頁碼 57

iglidur® J | 產品範圍

軸襯套 (型號 S)

尺寸 [mm]

d1	d1- 公差 ³⁾	d2	b1 h13	產品型號
32.0		37.0	25.0	JSM-3237-25
32.0		38.0	50.0	JSM-3238-50
35.0		39.0	20.0	JSM-3539-20
35.0		39.0	30.0	JSM-3539-30
35.0		39.0	40.0	JSM-3539-40
35.0	+0.050	39.0	50.0	JSM-3539-50
36.0	+0.150	40.0	45.0	JSM-3640-45
40.0		44.0	20.0	JSM-4044-20
40.0		44.0	30.0	JSM-4044-30
40.0		44.0	35.0	JSM-4044-35
40.0		44.0	40.0	JSM-4044-40
40.0		44.0	50.0	JSM-4044-50
42.0	+0.080 +0.240	46.0	73.0	JSM-4246-73
45.0	+0.025	50.0	20.0	JSM-4550-20
45.0	+0.125	50.0	30.0	JSM-4550-30
45.0		50.0	40.0	JSM-4550-40

d1	d1- 公差 ³⁾	d2	b1 h13	產品型號
45.0	+0.025 +0.125	50.0	50.0	JSM-4550-50
50.0		55.0	20.0	JSM-5055-20
50.0		55.0	30.0	JSM-5055-30
50.0	+0.050	55.0	40.0	JSM-5055-40
50.0	+0.150	55.0	50.0	JSM-5055-50
50.0		55.0	60.0	JSM-5055-60
55.0		60.0	60.0	JSM-5560-60
60.0		65.0	60.0	JSM-6065-60
65.0	+0.060	70.0	50.0	JSM-6570-50
70.0	+0.180	75.0	60.0	JSM-7075-60
75.0		80.0	60.0	JSM-7580-60
80.0		85.0	100.0	JSM-8085-100
80.0		86.0	60.0	JSM-8086-60
100.0	+0.072	105.0	100.0	JSM-100105-100
110.0	+0.212	115.0	60.0	JSM-110115-60

³⁾ 按壓組裝後 測試方法 ▶ 頁碼 57



沒有找到您要的尺寸？

您是否需要其他長度、尺寸或公差？您在尋找一個特殊的設計或取代您應用的其他解決方案？請與我們聯絡。易格斯傾聽您的需求，並在短時間內迅速為您提供解決方案。



更多尺寸可現貨供應

超過 300 個尺寸可供選擇。線上搜尋您所需的軸承。

▶ www.igus.com.tw/iglidur-specialbearings